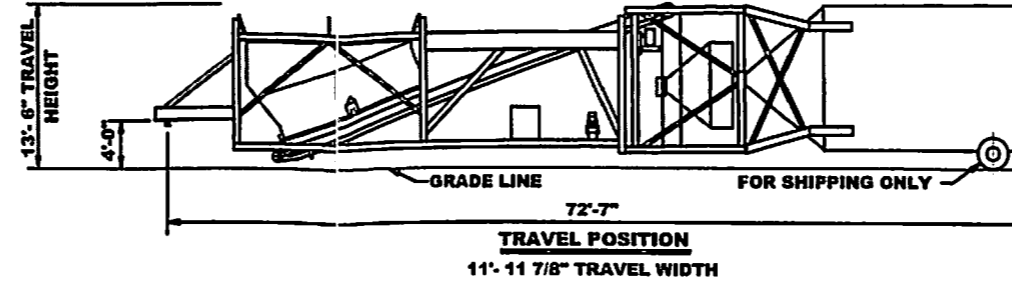
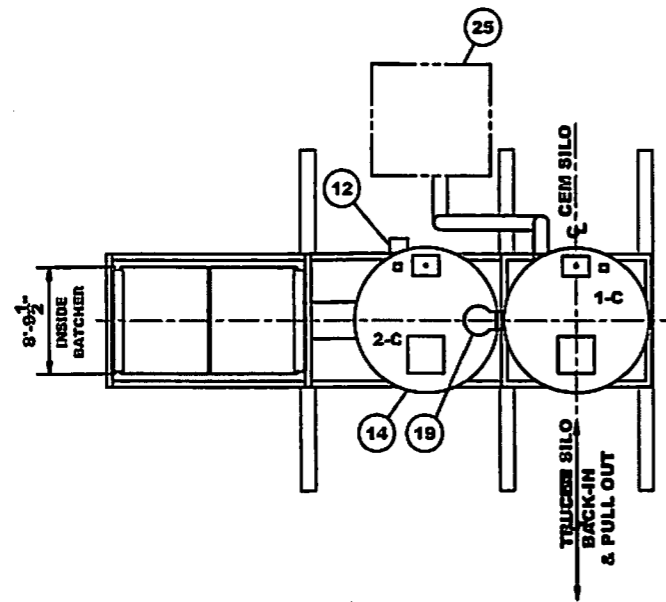
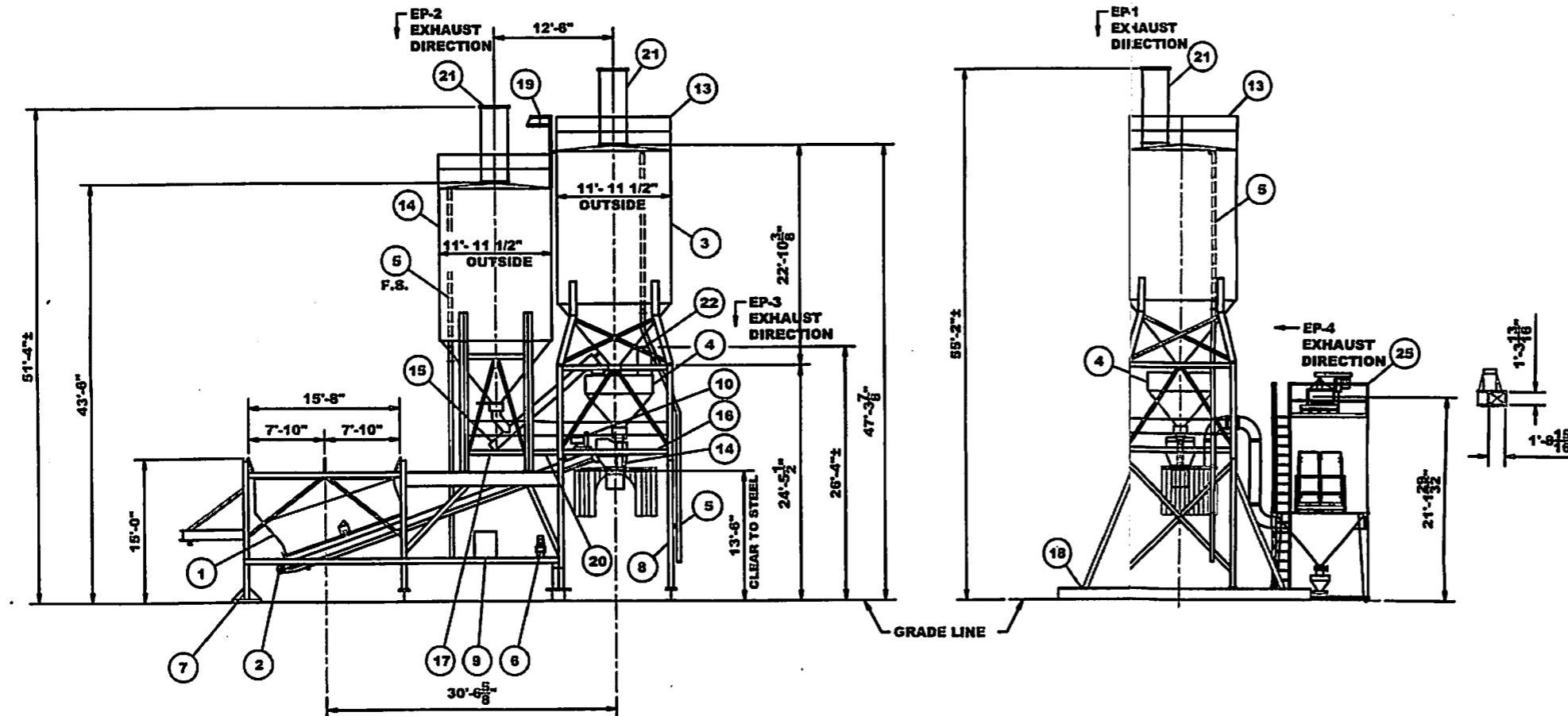


BY ERIE STRAYER CO.  
MOB 017



**CEMENT SILO CAPACITIES**  
COMPTS 1-C & 2-C EACH  
2000 CU. FT. AIR VOL.  
74 CU. YD.

- ① 12 CU YD DEMONSTRATIVE AGG BATCHER W/ TWO DISCHARGE CHUTES
- ② 30" INCLINED BATCH TRANSFER CONVEYOR  
35/4 5.5 C. TO C. W/ 20 H.P. DRIVE
- ③ CS1-500 CEMENT SILO
- ④ 12 CU YD CEMENT BATCHER
- ⑤ AIR LOADING PIPING (4" DIA.) (2 REQ'D)
- ⑥ 3" WATER FLOWMETER
- ⑦ ADJUSTABLE SUPPORT SILL (2 REQ'D)
- ⑧ REMOVABLE LOWER COLUMNS AND BRACING - CEM. SILO
- ⑨ MOTOR CONTROL PANEL
- ⑩ 5 H.P. AERATION BLOWER
- ⑪ TRUCK CHARGING CHUTE
- ⑫ LADDER W/ SAFETY CABLE FROM GRADE TO AUX SILO ROOF  
W/ ACCESS TO SERVICE PLATFORM
- ⑬ CEM SILO ROOF HANDRAILS (2 SECS REQ'D)
- ⑭ CS1-500 AUX. SILO 500 BBL MAX CAPACITY.
- ⑮ 12" DIA. SCREW FEEDER W/ 20 H.P. DRIVE
- ⑯ BATCH PLATFORM W/ HANDRAILS
- ⑰ AUX. SILO SERVICE PLATFORM
- ⑱ OUTRIGGER SUPPORTS
- ⑲ LADDER W/ SAFETY CAGE FROM AUX SILO ROOF  
TO MAIN SILO ROOF
- ⑳ WALKWAY W/ HANDRAILS FROM AUX SILO SERVICE  
PLATFORM TO BATCH PLATFORM



BY OTHERS

- ⑳ SILO FILTER VENT (2 REQ'D) (C & W SH-250)
- ㉑ BATCHER FILTER VENT (BELGRADE)
- ㉒ AIR COMPRESSOR
- ㉓ CONTROL SYSTEM
- ㉔ DUST COLLECTION SYSTEM FOR TRUCK CHARGING  
CHUTE (C & W RA-340)

**GENERAL NOTES BELOW APPLY TO EQUIPMENT SHOWN ON THIS DRAWING.**

- AGGREGATE BINS AND BIN COMPARTMENTS  
HEAVED CAPACITIES OF AGGREGATE BINS AND BIN COMPARTMENTS ARE AS SHOWN AND ARE  
BASED ON HEAVING TO AN ANGLE OF 45° FROM THE HORIZONTAL, WITH MAXIMUM  
LOADING 110# PER CU. FT. OR APPROXIMATELY ONE AND ONE HALF TONS PER CU. YD.
- CEMENT BINS, BIN COMPARTMENTS AND SILOS  
MINIMUM BATCH, LRA, CCM COMPARTMENT AND CCM CAPACITIES AS SHOWN  
ARE BASED ON DENSITY OF 2025 OR 0.0 CU. FT. PER CUM. YD.
- ELECTRIC MOTORS  
UNLESS INDICATED OTHERWISE, ALL ELECTRIC MOTORS ARE RATED FOR 230/400 VOLT, 3 PHASE,  
60 CYCLE CURRENT. STARTING EQUIPMENT WILL BE PROVIDED TO OPERATE ON 480 VOLT  
UNLESS OTHERWISE STATED.
- POWER REQUIREMENT FOR CONTROLS  
VOLTAGE SHALL BE 120 VOLTS (+/- 5%) 60 CYCLE PER SECOND.
- MODIFICATIONS OR ADDITIONS  
ALL FIELD CHANGES TO THE EQUIPMENT SHOWN HEREON OR ANY ENCLOSURE, GAUGES, PLATFORMS,  
HOUSING OR OTHER ADDITION TO THIS EQUIPMENT ARE THE RESPONSIBILITY OF THE BUYER WHO AGREES  
TO HOLD THE CONVEYOR COMPANY HARMLESS AGAINST LIABILITY FOR THE SAME.
- NOT FOR CONSTRUCTION  
THE DIMENSIONS SHOWN HEREON ARE GENERAL AND OUTLINE DIMENSIONS ONLY AND ARE NOT INTENDED  
FOR USE AS DETAIL DIMENSIONS FOR MAKING MODIFICATIONS OR ADDITIONS, SUCH AS  
ENCLOSURES, GAUGES, PLATFORMS OR HOUSINGS TO THE EQUIPMENT SHOWN.

**EQUIPMENT CONFORMS TO CPMB, PMD, & CSMD STANDARDS**

NO.	REVISION	BY	DATE
2	ADDED NOTATION FOR EP-3	BWS	2/1/2010
1	ADD DUST COLLECTOR INFO.	NAS	1/28/2010

**ERIE STRAYER CO.**

1851 Rudolph Ave. Erie, PA 16502  
Phone: (814) 456-7001 Fax: (814) 452-3422  
Website: www.eriestrayer.com

ORDER BY	DATE	CHK BY	DATE	APP BY	DATE
DAP	12/17/2009				

PLANT POWER  
480V - 3PH - 60HZ

CONTROL POWER  
120V - 1PH - 60HZ

**ERIE STRAYER CO.**

MOBILE COMBO GRAVITY TRANSIT MIX PLANT

PROPOSAL P121709REM1

BLUE RIDGE CONCRETE

CONTRACT NO.	SCALE	CHG NO.
	1/8"=1'-0"	4A-251940-2